

# Round Nylon Pillars

E-mail: [sales@greenway-ltd.co.uk](mailto:sales@greenway-ltd.co.uk) Website: [www.greenway-ltd.co.uk](http://www.greenway-ltd.co.uk)



## Specification

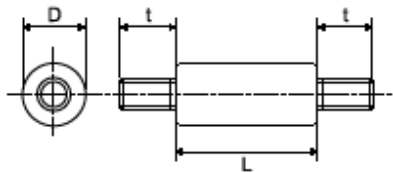
- Material -  
Body: Nylon 66 (natural)  
Inserts: Brass (self colour)
- Operating temperature -30°C to +85°C
- P.T.F.E. available for temperatures up to 250°C
- Flammability Ratings on Application
- Minimum order 100 pieces per item
- Special features such as non-standard thread lengths, odd ends  
Screwdriver slots, cross holes etc.
- Alternative body colours available.

- Shock resisting
- Insulating
- Adaptable

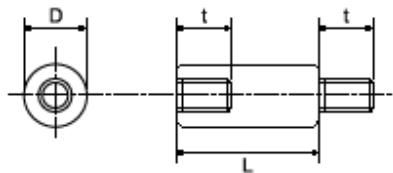


**greenway**  
Total fixing & fastening solutions

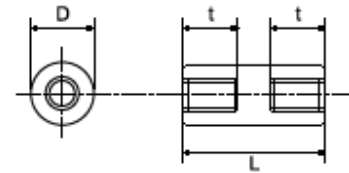
### Type A



### Type B



### Type C



Nominal Body Diameter (D)	Body Length (L) Any length from	Type - See above	Thread Size	Thread Length/Depth (t)
6.5 mm OR 8mm	10 mm	A, B or C	<b>M3</b> also available M2, M2.5, 6BA and 4-40 UNC	6 mm
8 mm	12.7mm	A, B or C	<b>M4</b> also available M3.5, 4BA and 6-32 UNC	6 mm
9.5 mm	19 mm	A, B or C	<b>M5</b> also available 2BA and 8-32 UNC or any smaller thread listed	10 mm
12.7 mm	22 mm	A, B or C	<b>M6</b> also available 0BA and 1/4-20 UNC or any smaller thread listed	12.7 mm
15.9 mm OR 19mm	30 mm	A, B or C	<b>M8</b> or any smaller thread listed	14 mm
25 mm	38 mm	A, B or C	<b>M10</b> or any smaller thread listed	20 mm
30 mm	45 mm	A, B or C	<b>M12</b> or any smaller thread listed	25 mm

# Hexagonal Nylon Pillars

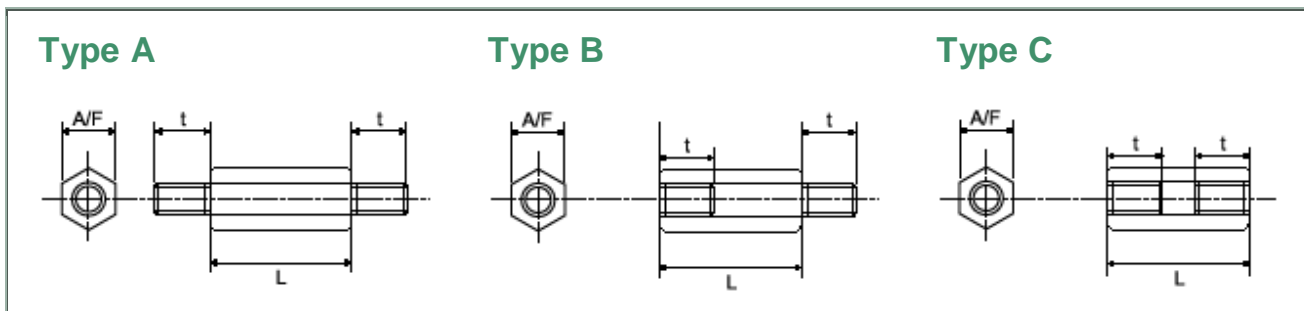
E-mail: [sales@greenway-ltd.co.uk](mailto:sales@greenway-ltd.co.uk) Website: [www.greenway-ltd.co.uk](http://www.greenway-ltd.co.uk)



## Specification

- Material-  
Body: Nylon 66 (natural)  
Inserts: Brass (self colour)
- Operating temperature -30°C to +85°C
- Flammability Ratings on Application
- Minimum order 100 pieces per item
- Special features such as non-standard thread lengths, odd ends Screwdriver slots, cross holes etc.
- Alternative body colours available.

- Shock resisting
- Insulating
- Adaptable



Body Size Across Flats (A/F)	Body Length (L)	Type - See above	Thread Size	Thread Length/Depth (t)
6.35 mm	15, 20, 25, 30, 35, 40, 45, 50 mm	A, B or C	<b>M3</b> also available M2, M2.5, 6BA and 4-40 UNC	6 mm
8.0 mm	15, 20, 25, 30, 35, 40, 45, 50, 55, 60, 65, 70, 75 mm	A, B or C	<b>M4</b> also available M3.5, 4BA and 6-32 UNC	6 mm
9.5 mm	20, 25, 30, 35, 40, 45, 50, 55, 60, 65, 70, 75 mm	A, B or C	<b>M5</b> also available 2BA and 8-32 UNC	10 mm
12.7 mm	25, 30, 35, 40, 45, 50, 55, 60, 65, 70, 75 mm	A, B or C	<b>M6</b> also available 0BA and 1/4-20 UNC	12.7 mm

E-mail: [sales@greenway-ltd.co.uk](mailto:sales@greenway-ltd.co.uk) Website: [www.greenway-ltd.co.uk](http://www.greenway-ltd.co.uk)



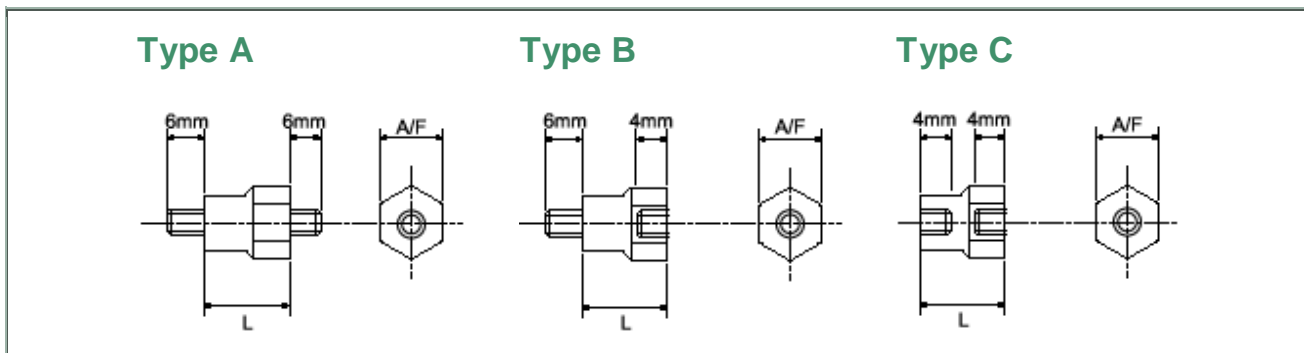
# Micro Pillars



## Specification

- Material -  
Body: Nylon 66 (natural)  
Inserts: Brass (bright nickel)
- Operating temperature -30°C to +85°C
- Flammability Ratings on Application
- Minimum order 100 pieces per item
- Alternative body colours available.

- Shock resisting
- Insulating
- Adaptable



Body Size Across Flats (A/F)	Type A Body Length (L)	Type B Body Length (L)	Type C Body Length (L)	Thread
6 mm	4, 5, 6, 7, 8, 9, 10, 11, 12 mm	7, 8, 9, 10, 11, 12 mm	9, 10, 11, 12 mm	M2.5
7 mm	4, 5, 6, 7, 8, 9, 10, 11, 12 mm	7, 8, 9, 10, 11, 12 mm	9, 10, 11, 12 mm	M3

E-mail: [sales@greenway-ltd.co.uk](mailto:sales@greenway-ltd.co.uk) Website: [www.greenway-ltd.co.uk](http://www.greenway-ltd.co.uk)



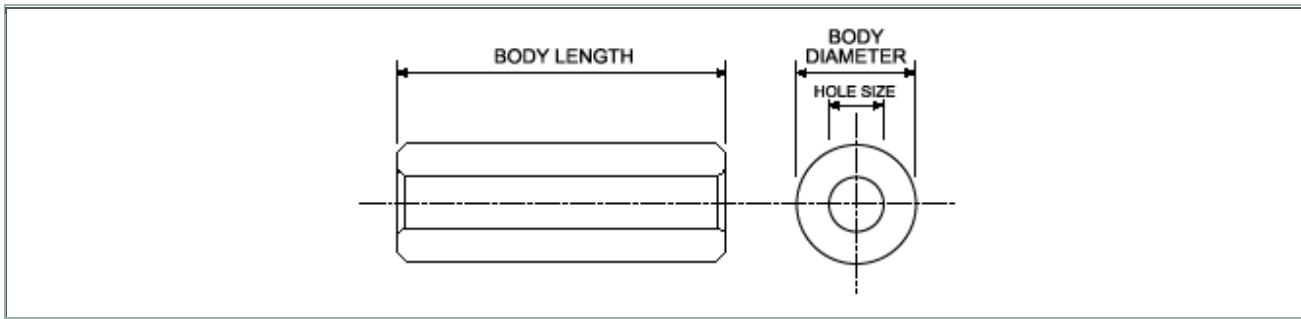
**greenway**  
Total fixing & fastening solutions

# Nylon Spacers (Clearance)



## Specification

- Material: Nylon 6
- Colour: Natural
- Operating temperature -30°C to +85°C
- Flammability Ratings on Application
- Minimum order 500 pieces per item
- Alternative body colours available.



Diameter	Hole Size	Body Length	To Clear Thread Size
5 mm	2.2 mm	2, 3, 4, 5, 6, 7, 8, 9, 10, 11, 12 mm	M2
6 mm	2.7 mm	2, 3, 4, 5, 6, 7, 8, 9, 10, 11, 12 mm	M2.5
6 mm	3.2 mm	2, 3, 4, 5, 6, 7, 8, 9, 10, 11, 12, 13, 14, 15, 16, 17, 18, 19, 20 mm	M3
8 mm	3.7 mm	2, 3, 4, 5, 6, 7, 8, 9, 10, 11, 12 mm	M3.5
8 mm	4.3 mm	2, 3, 4, 5, 6, 7, 8, 9, 10, 11, 12, 13, 14, 15, 16, 17, 18, 19, 20 mm	M4
9.5 mm	5.3 mm	2, 3, 4, 5, 6, 7, 8, 9, 10, 11, 12, 13, 14, 15, 16, 17, 18, 19, 20 mm	M5
12.7 mm	6.3 mm	5, 10, 15, 20, 25 mm	M6
15.9 mm	8.5 mm	5, 10, 15, 20, 25 mm	M8
22 mm	10.5 mm	5, 10, 15, 20, 25 mm	M10
25 mm	12.7 mm	5, 10, 15, 20, 25 mm	M12

E-mail: [sales@greenway-ltd.co.uk](mailto:sales@greenway-ltd.co.uk) Website: [www.greenway-ltd.co.uk](http://www.greenway-ltd.co.uk)



**greenway**  
Total fixing & fastening solutions

# Nylon Spacers (Threaded)



## Specification

- Material: Nylon 6
- Colour: Natural
- Operating temperature -30°C to +85°C
- Flammability Ratings on Application
- Minimum order 500 pieces per item
- Alternative body colours available.

## CUSTOM MADE SPACERS

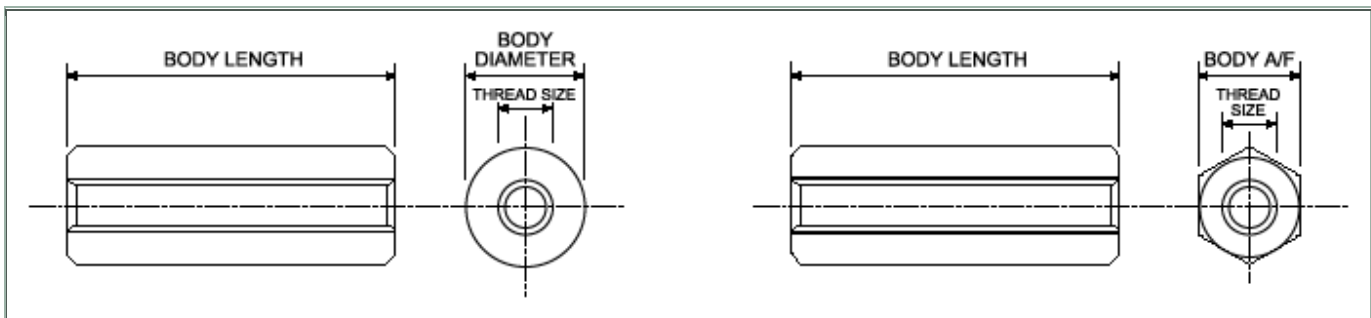
Do not worry if the part you require is not listed - we specialise in producing non-standard Spacers in a wide range of materials at very competitive prices. With this in mind we invite you to specify your requirements however large or small.

Free samples are available for evaluation and prototypes

E-mail: [sales@greenway-ltd.co.uk](mailto:sales@greenway-ltd.co.uk) Website: [www.greenway-ltd.co.uk](http://www.greenway-ltd.co.uk)



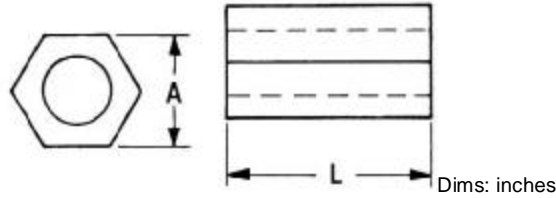
**greenway**  
Total fixing & fastening solutions



Body Size Across Flats (A/F)	Diameter	Thread	Body Length	Spacer Type
N/A	6 mm	M2.5	3, 4, 5, 6, 7, 8, 9, 10, 11, 12 mm	Round
5.5 mm		M2.5	3, 4, 5, 6, 7, 8, 9, 10, 11, 12 mm	Hex
N/A	6 mm	M3	3, 4, 5, 6, 7, 8, 9, 10, 11, 12, 13, 14, 15, 16, 17, 18, 19, 20 mm	Round
5.5 mm		M3	3, 4, 5, 6, 7, 8, 9, 10, 11, 12, 13, 14, 15 mm	Hex
N/A	8 mm	M3.5	3, 4, 5, 6, 7, 8, 9, 10, 11, 12 mm	Round
7 mm		M3.5	3, 4, 5, 6, 7, 8, 9, 10, 11, 12 mm	Hex
N/A	8 mm	M4	3, 4, 5, 6, 7, 8, 9, 10, 11, 12, 13, 14, 15, 16, 17, 18, 19, 20 mm	Round
7 mm		M4	3, 4, 5, 6, 7, 8, 9, 10, 11, 12, 13, 14, 15 mm	Hex

N/A	9.5 mm	M5	3, 4, 5, 6, 7, 8, 9, 10, 11, 12, 13, 14, 15, 16, 17, 18, 19, 20 mm	Round
-----	--------	----	--	-------

## HEX NYLON CLEARANCE SPACER - IMPERIAL



Part Number	Self-Tapping Screw	I.D.	L	A
HSP 1	4	0.091	0.25	0.25
HSP 2	4	0.091	0.375	0.25
HSP 3	4	0.091	0.5	0.25
HSP 4	4	0.091	0.75	0.25
HSP 5	4	0.091	1	0.25
HSP 6	6	0.115	0.25	0.25
HSP 7	6	0.115	0.375	0.25
HSP 8	6	0.115	0.5	0.25
HSP 9	6	0.115	0.75	0.25
HSP 10	6	0.115	1	0.25
HSP 11	8	0.14	0.25	0.25
HSP 12	8	0.14	0.375	0.25
HSP 13	8	0.14	0.5	0.25
HSP 14	8	0.14	0.75	0.25
HSP 15	8	0.14	1	0.25
HSP 16	4	0.091	0.875	0.25
HSP 17	6	0.115	0.875	0.25
HSP 18	8	0.14	0.875	0.25
HSP 19	4	0.091	0.625	0.25
HSP 20	6	0.115	0.625	0.25
HSP 21	8	0.14	0.625	0.25
HSP 22	4	0.091	0.3125	0.25
HSP 23	6	0.115	1.25	0.25
HSP 24	4	0.091	0.5625	0.25
HSP 29	4	0.091	0.4375	0.25

greenway

Tel: 01732 779082

Fax: 01732 463093



**greenway**  
Total fixing & fastening solutions

Part Number	Self-Tapping Screw	I.D.	L	A
HSP 32	4	0.091	1.5	0.25
HSP 35	6	0.115	0.1875	0.25
HSP 38	6	0.111	0.5625	0.25
HSP 40	6	0.111	0.4375	0.25
HSP 41	8	0.134	0.672	0.25
HSP 101	4	0.091	0.25	0.1875
HSP 102	4	0.091	0.375	0.1875
HSP 103	4	0.091	0.5	0.1875
HSP 104	4	0.091	0.4375	0.1875
HSP 106	6	0.115	0.25	0.1875
HSP 107	6	0.115	0.375	0.1875
HSP 108	6	0.115	0.5	0.1875
HSP 109	6	0.115	0.75	0.1875
HSP 111	4	0.091	0.5625	0.1875
HSP 112	2	0.072	0.4375	0.1875
HSP 113	2	0.075	0.5625	0.1875
HSP 114	2	0.072	0.375	0.1875
HSP 115	2	0.072	0.3125	0.1875
HSP 116	4	0.091	0.875	0.1875
HSP 119	4	0.091	0.625	0.1875
HSP 120	6	0.115	0.625	0.1875
HSP 124	4	0.091	0.75	0.1875
HSP 207	1/4	0.225	0.219	0.3125
HSP 208	6	0.115	0.5	0.3125
HSP 220	6	0.115	0.875	0.312
HSP 225	6	0.115	1.125	0.3125
HSP 225	6	0.115	1.125	0.3125

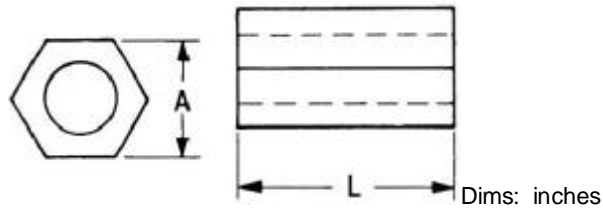
greenway

Tel: 01732 779082

Fax: 01732 463093



## Hex Nylon Tapped Spacers - Imperial



Part Number	Tapped	L	A
HTSP 1	4-40*	0.25	0.25
HTSP 2	4-40*	0.375	0.25
HTSP 3	4-40*	0.5	0.25
HTSP 4	4-40*	0.75	0.25
HTSP 5	4-40*	1	0.25
HTSP 6	6-32**	0.25	0.25
HTSP 7	6-32**	0.375	0.25
HTSP 8	6-32**	0.5	0.25
HTSP 9	6-32**	0.75	0.25
HTSP 10	6-32**	1	0.25
HTSP 11	8-32***	0.25	0.25
HTSP 12	8-32***	0.375	0.25
HTSP 13	8-32***	0.5	0.25
HTSP 14	8-32***	0.75	0.25
HTSP 15	8-32***	1	0.25
HTSP 16	4-40*	0.875	0.25
HTSP 17	6-32**	0.875	0.25
HTSP 18	8-32***	0.875	0.25
HTSP 19	4-40*	0.625	0.25
HTSP 20	6-32**	0.625	0.25
HTSP 21	8-32***	0.625	0.25
HTSP 22	4-40*	0.3125	0.25
HTSP 23	6-32**	1.25	0.25
HTSP 24	4-40*	0.5625	0.25
HTSP 29	4-40*	0.4375	0.25
HTSP 32	4-40*	1.5	0.25
HTSP 35	6-32**	0.1875	0.25
HTSP 36	6-32** (Not Thru Hole)	1.5	0.25
HTSP 37	440*	0.826	0.25
HTSP 38	632**	0.5625	0.25



HTSP 39	4-40*	1.375	0.25
HTSP 40	6-32	0.4375	0.25
HTSP 41	8-32***	0.672	0.25
HTSP 101	4-40*	0.25	0.1875
HTSP 102	4-40*	0.375	0.1875
HTSP 103	4-40*	0.5	0.1875
HTSP 104	4-40*	0.4375	0.1875
HTSP 106	6-32**	0.25	0.1875
HTSP 107	6-32**	0.375	0.1875
HTSP 108	6-32**	0.5	0.1875
HTSP 109	6-32**	0.75	0.1875
HTSP 111	4-40*	0.5625	0.1875
HTSP 112	2-56	0.4375	0.1875
HTSP 113	2-56	0.5625	0.1875
HTSP 114	2-56	0.375	0.1875
HTSP 115	2-56	0.3125	0.1875
HTSP 116	4-40*	0.875	0.1875
HTSP 119	4-40*	0.625	0.1875
HTSP 120	6-32**	0.625	0.1875
HTSP 124	4-40*	0.75	0.1875
HTSP 207	1/4-20	0.219	0.3125
HTSP 208	6-32**	0.5	0.3125
HTSP 220	6-32**	0.875	0.3125
HTSP 225	6-32**	1.125	0.3125
HTSP 309	6-32**	0.75	0.375
HTSP 400	1/4-20	0.5	0.375
HTSP 207	1/4-20	0.219	0.3125
HTSP 208	6-32**	0.5	0.3125

