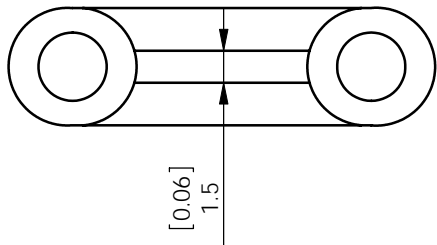
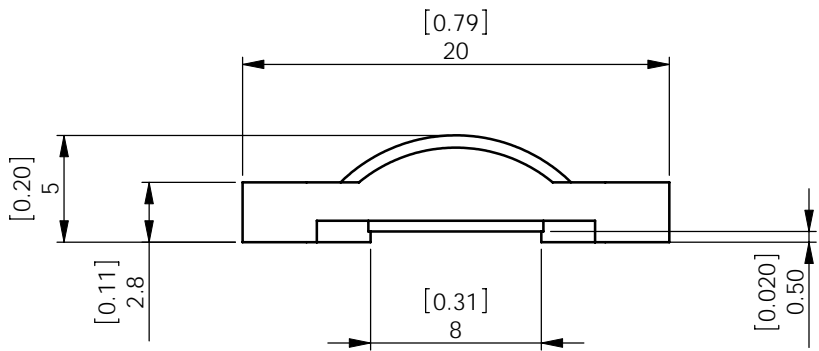
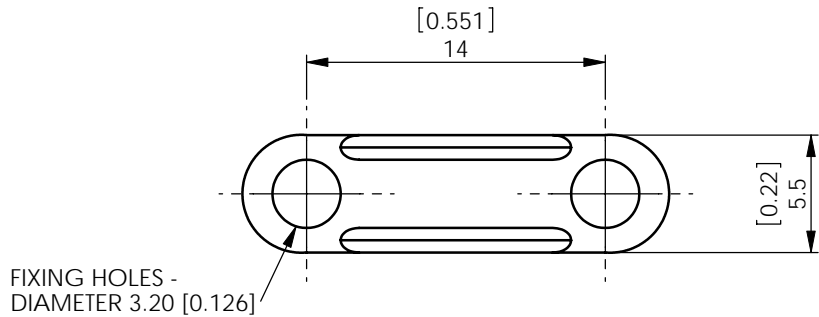


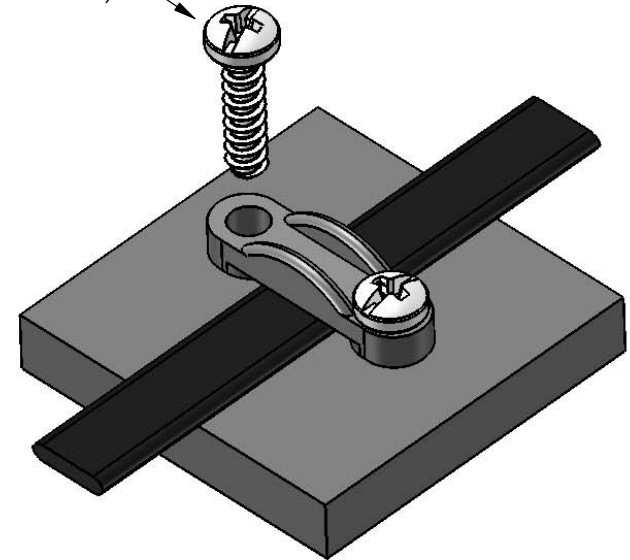
A B C D E F

REV.	MODIFICATION.	DATE	DRN
02	ECN 2008-022	04/02/08	TC
03	CO-2010147	19/03/08	OW
04	CO-2010666	01/06/09	SF



PART NUMBER	MATERIAL
SRCC-2	NYLON 6/6 UL94 V-2 (RMS-01)
SRCC-2-HT	NYLON 4/6 UL-94 V-2 (RMS-109)

TO ACCOMMODATE
2x M3 [#3] FLAT HEAD
SCREWS (NOT SUPPLIED)



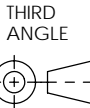
APPLICATION VIEW

ALTERNATE UNITS FOR REFERENCE ONLY

INFORMATION CONTAINED IN THIS DOCUMENT IS CONFIDENTIAL TO RICHCO INTERNATIONAL Co. Ltd. AND MAY NOT BE DISCLOSED OR REPRODUCED IN WHOLE OR PART WITHOUT THEIR WRITTEN CONSENT.

RICHCO, INC.
WWW.RICHCO-INC.COM

ALL DIMENSIONS IN mm & [INCH]
GENERAL TOLERANCES ±0.25 [0.010]
UNLESS OTHERWISE STATED
1 DECIMAL PLACE ±0.25 [0.010]
2 DECIMAL PLACES ±0.10 [0.004]
ANGULAR ±1°



MATERIAL: NYLON 6/6 UL94 V-2 (RMS-01)		COLOUR: BLACK	
DESCRIPTION: STRAIN RELIEF CLAMP		PART No: SEE TABLE	
DRG No: 05-104	NPR No: 2004-448	Mass:(g) 0.35	SHEET SIZE A4
DRN NJB	DATE 05/01/05	CHKD NBR	DATE 05/01/05
SCALE NTS		SHEET No. 1 OF 1	

A B C D E F FORM No. 0178/00